

IS D360

white
 EAN 4007841 601317
 Article number 601317



Infrarot-Sensor
360°



Max. 8 m

1000 W

1000 W max. (LED-fähig)



IP20



2 - 2000 Lux



5 Sek - 20 Min



Ideal 2,5 m



Energie sparen

5 years

Herstellergarantie
 steinel-
 professional.de/
 garantie



CE

Function description

The compact class. Recessed ceiling motion detector IS D360 for indoors, ideal for mounting in any standardized spot bezel, installation height up to 2.5 m, in the size of a bulb (e.g. GU10), 360° angle of coverage, max. reach 8 m (tangential), floating contact 50-250 volts.

Technical specifications

Dimensions (Ø x H)	83 x 82 mm	LED lamps > 8 W	64 W
Manufacturer's Warranty	5 years	Capacitive load in µF	88 µF
Settings via	Potentiometers	Technology, sensors	passive infrared, Light sensor
With remote control	No	Mounting height	2,50 – 4,00 m
Version	white	Mounting height max.	4,00 m
PU1, EAN	4007841601317	Optimum mounting height	2,5 m
Type	Motion detectors	Detection angle	360 °
Application, place	Indoors	Angle of aperture	180 °
Application, room	corridor / aisle, function room / ancillary room, WC / washroom, Indoors	Sneak-by guard	Yes
Colour	white	Capability of masking out individual segments	Yes
Colour, RAL	9010	Electronic scalability	No
Includes corner wall mount	No	Mechanical scalability	No
Installation site	ceiling	Reach, radial	Ø 8 m (50 m ²)
Installation	In-ceiling installation, Ceiling	Reach, tangential	Ø 16 m (201 m ²)
IP-rating	IP20	Switching zones	720 switching zones
Ambient temperature	-20 – 50 °C	Twilight setting	2 – 2000 lx
		Time setting	5 s – 20 Min.

IS D360

white
EAN 4007841 601317
Article number 601317



Technical specifications

Material	Plastic
Mains power supply	230 – 240 V / 50 Hz
Switching output 1, resistive	1000 W
Fluorescent lamps, electronic ballast	750 W
Fluorescent lamps, uncorrected	500 VA
Fluorescent lamps, series-corrected	900 VA
Switching output 1, low-voltage halogen lamps	1000 VA
LED lamps < 2 W	16 W
LED lamps > 2 W < 8 W	64 W

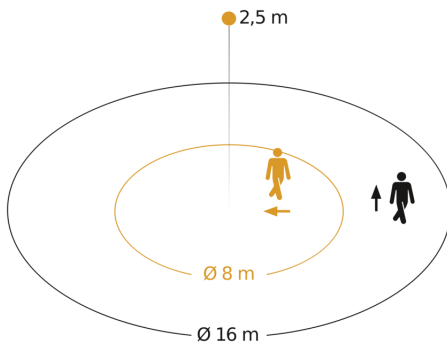
Basic light level function	No
Main light adjustable	No
Twilight setting TEACH	No
Constant-lighting control	No
Interconnection	Yes
Type of interconnection	Master/master
Interconnection via	Cable

IS D360

white
 EAN 4007841 601317
 Article number 601317

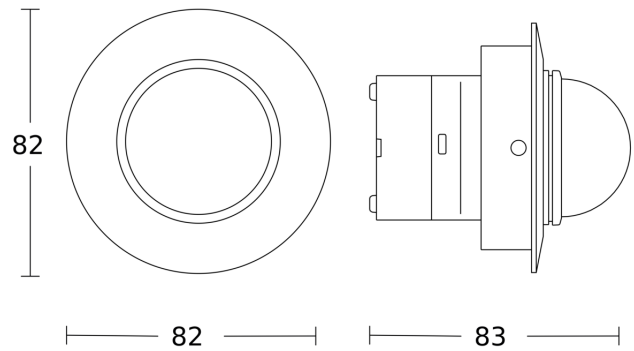


Detection Zone

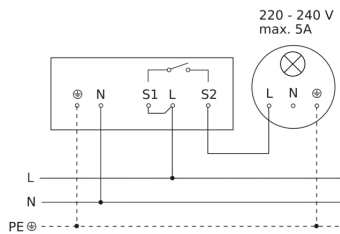


Possible mounting height: 2,50 m – 4,00 m
 Orange: radial
 Black: tangential

Dimension Drawing



Master circuit diagram 230V



Master circuit diagram PF

